

bomar hatches

low profile

Low Profile Extruded Hatches

Bomar low profile hatches are the standard for the majority of quality boat builders throughout the world. The reason? These stylish, high-performance hatches combine sleek design with unsurpassed functionality. Constructed for rugged durability, they feature a heavy-duty aluminum frame and a high-impact acrylic lens. Design features include the option of a shade screen and/or privacy shade on some models.

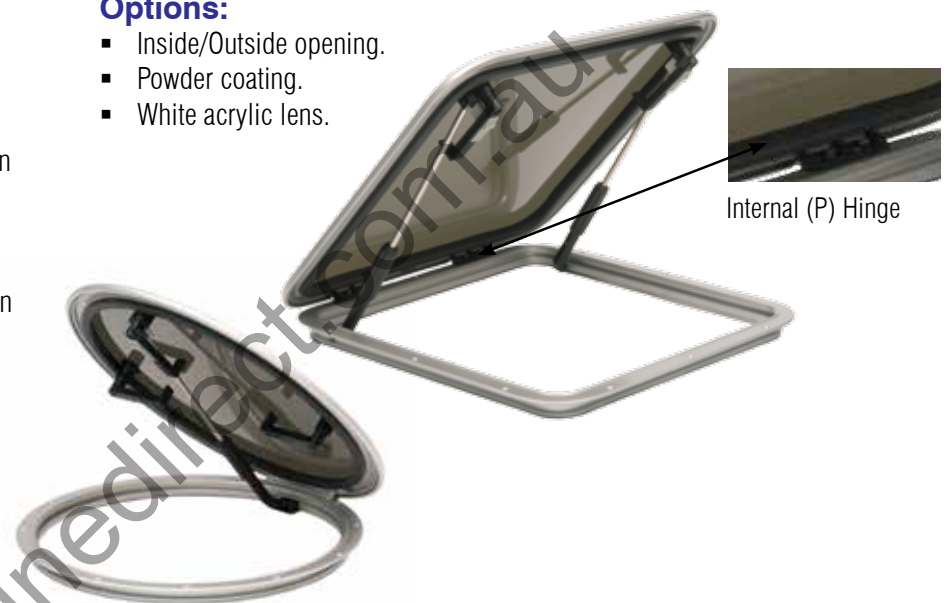


Features

- Anodised heavy-duty aluminum frames.
- Heavy-duty acrylic lens.
- No sharp corners to snag lines or sails.
- Spare parts available.
- CE approval available. Please specify when ordering.
- Heavy-duty hinges.
- Quick acting, adjustable tie-down dogs.
- Molded trim ring, sewn screen available on select sizes.
- Locked vent position.
- SS riser arm rod.

Options:

- Inside/Outside opening.
- Powder coating.
- White acrylic lens.



P Series Round Hatch Sizes

Part Number		Height Deck to Lid	Hatch Opening	Cutout	OD Deck Flange	OD Lid 'P' Style	Trim Ring Off White	Extruded Screen
Anodised	White	mm	mm	mm	mm	mm		
BN1139-10PX	BN1139-10PX-W	24	487	516	557	581	BNT1139	BNS1139-EX
BN1170-10PX	BN1170-10PX-W	24	392	421	462	486	BNT1170	BNS1170-EX

Square/Rectangle Part Number		Height Deck to Lid	Hatch Opening		Cut Out		O.D. Deck Flange		O.D. Lid Style P		Trim Ring (Off White)	Extruded Screen
Anodised	White	Z	X	Y	X1	Y1	X2	Y2	X5	Y5		
		mm	mm	mm	mm	mm	mm	mm	mm	mm		
BN1000-10P	BN1000-10P-W	24	244	244	273	273	314	314	341	341	BNT2000	BNS2000-EX
BN1011-10P	BN1011-10P-W	24	337	203	365	232	406	273	433	300	BNT2029	BNS2029-EX
BN1029-10PX	BN1029-10PX-W	24	441	311	470	340	511	381	538	408	BNT2039	BNS2039-EX
BN1039-10PX	BN1039-10PX-W	24	484	484	513	513	554	554	581	581	BNT2040	BNS2040-EX
BN1040-10PX	BN1040-10PX-W	24	491	362	519	391	560	432	587	459	BNT2049	BNS2049-EX
BN1049-10PX	BN1049-10PX-W	24	610	610	638	638	679	679	706	706	BNT2049	BNS2049-EX
BN1060-10PX	BN1060-10PX-W	24	300	300	359	359	400	400	427	427		
BN1070-10PX	BN1070-10PX-W	24	392	392	421	421	462	462	489	489	BNT2070	BNS2070-EX

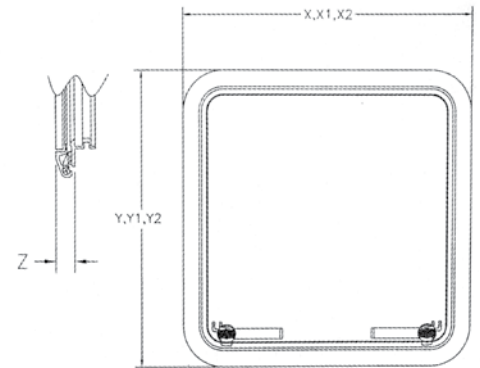
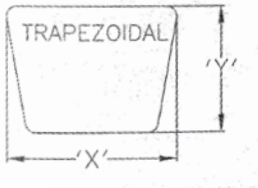
bomar hatches

low profile

P Series Low Profile Continued

P Series Sizes

- OD Radius is 2 7/8" (73 mm) on all square and rectangular hatches.
- Cut Out Radius is 1 11/16" (43 mm) on all square and rectangular hatches.
- CE approval available. Please specify when ordering.



Trapezoid Part Number		Height Deck To Lid	Hatch Opening		Cut Out		O.D. Deck Flange		O.D. Lid Style P		Trim Ring (Off White)	Extruded Screen
Anodised	White	Z	X	Y	X1	Y1	X2	Y2	X4	Y4		
		mm	mm	mm	mm	mm	mm	mm	mm	mm		
BN1090-10PX	BN1090-10PX-W	24	530	394	559	422	600	464	622	489	BNT1090	BNS1090-EX
BN1094-10PX	BN1094-10PX-W	24	616	460	645	489	686	530	713	557	BNT1094	BNS1094-EX
BN1017-10PX	BN1017-10PX-W	24	537	560	565	589	606	630	624	659		



bomar hatches

high profile



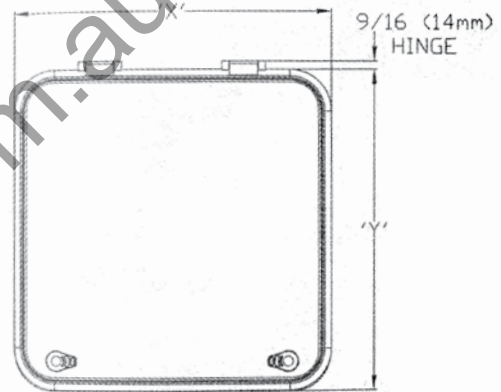
High Profile Extruded Hatches

Features

- Anodised heavy-duty aluminum frames.
- Heavy-duty acrylic lens.
- Extra high sealing lip on base.
- No sharp corners to snag lines or sails.
- Spare parts available
- Heavy-duty hinges.
- Quick acting, adjustable tie down dogs.
- Locked vent position.
- Height above deck approx. 1-3/4".
- Molded trim ring, sewn screen available on select sizes.
- SS riser arm rod.

Options

- Inside/Outside opening.
- Power coating.
- White acrylic lens.



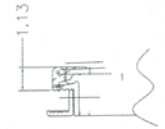
2000 Series

2000 series trim and screen.

Square/Rectangle Part Number		Height Deck To Lid	Hatch Opening		Hole Cut Out		O.D. of Deck Flange		O.D. of Lid		Weight Lbs.	Trim Ring (Off White)	Extruded Screen
Anodised	Black	Z	X	Y	X1	Y1	X2	Y2	X5	Y5			
		mm	mm	mm	mm	mm	mm	mm	mm	mm			
BN2000-10A	BN2000-10A-Z	44	244	244	273	273	314	314	318	318	7	BNT2000	BNS2000-EX
BN2029-10A	BN2029-10A-Z	44	441	311	338	468	381	511	389	519	13	BNT2029	BNS2029-EX
BN2039-10A	BN2039-10A-Z	44	486	486	514	514	556	556	559	559	13	BNT2039	BNS2039-EX
BN2040-10A	BN2040-10A-Z	44	491	362	519	391	560	432	564	435	15	BNT2040	BNS2040-EX
BN2049-10AX	BN2049-10AX-Z	44	610	610	637	637	679	679	687	687	22	BNT2049	BNS2049-EX
BN2070-10A	BN2070-10A-Z	44	391	391	419	419	460	460	464	464	14	BNT2070	BNS2070-EX

bomar hatches

gray 900 series



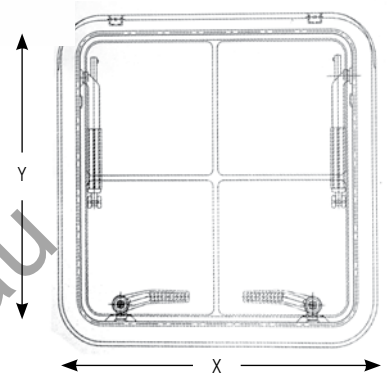
Gray 900 Series

Molded Hatch Features

- Quick action dogs.
- Collect arm.
- Available in black or white.
- Smoke acrylic lens.
- Vent position.
- CE approval available.
Please specify when ordering.

Options

- Inside/Outside opening.
- Trim ring.
- Screen.
- White acrylic lens.



Part Number		Hatch Opening		Hole Cut Out		O.D. of Deck Flange		O.D. of Lid		Weight	Cutout Radius	Trim		Screen	
Black	White	X	Y	X1	Y1	X2	Y2	X5	Y5	Lbs.	mm	Black	White	Black	White
		mm	mm	mm	mm	mm	mm	mm	mm						
BG910-1100-IO	BG910-2100-IO	225	225	241	241	292	292	300	306	3.5	32	BGT910-1	BGT910-2	BGS910-18	BGS910-28
BG927-1100-IO	BG927-2100-IO	445	318	454	327	505	378	518	384	6.5	43	BGT927-1	BGT927-2	BGS927-18	BGS927-28
BG966-1100-IO	BG966-2100-IO	414	414	428	428	480	480	486	492	7.5	43	BGT966-1	BGT966-2	BGS966-18	BGS966-28
BG995-1100-IO	BG995-2100-IO	489	489	501	501	556	556	560	567	9.75	43	BGT995-1	BGT995-2	BGS995-18	BGS995-28

Note: When ordering, specify black or white. Black is standard.



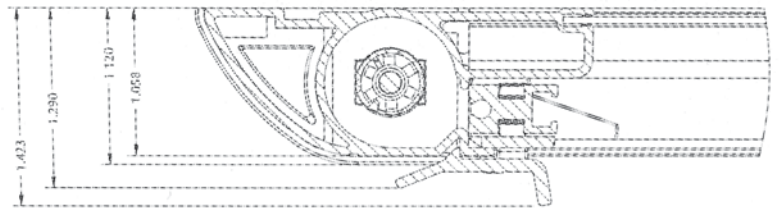
bomar shade screen

seabreeze series

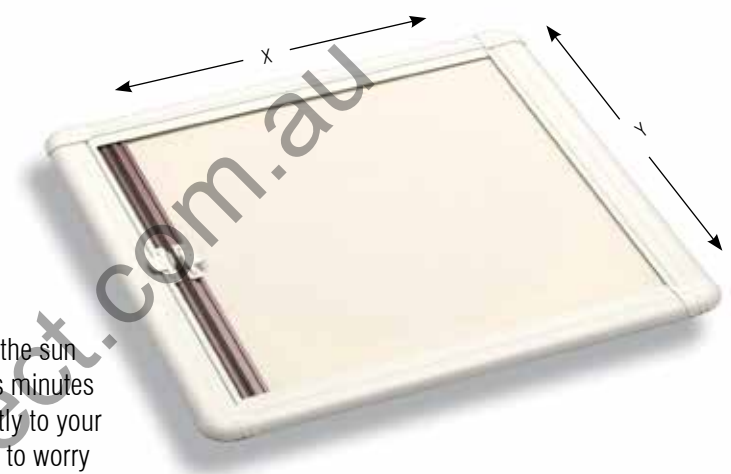
Seabreeze Series

Part Number	X mm	Y mm
BGSB2000	412	380
BGSB2029	577	478
BGSB2039	652	620
BGSB2070	560	529

Round Part Number	X mm	Y mm
BGSB2139	683	651
BGSB2170	609	577



Surface Mount System



Shade Screen

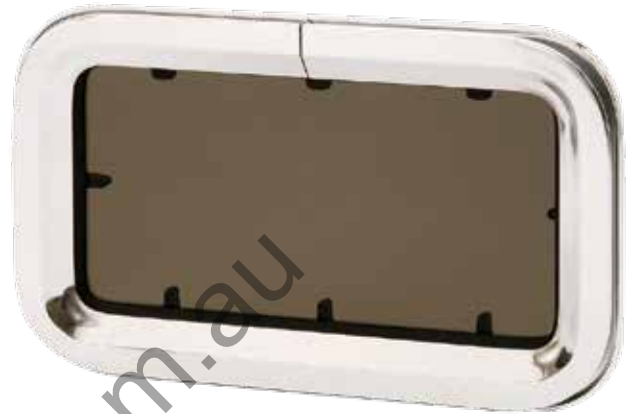
Introducing the SeaBreeze Shade / Screen. The solution that keeps the sun and insects out without ruining your elegant silhouette. It only takes minutes and a screwdriver to install the SeaBreeze, because it mounts directly to your Bomar hatch with only four screws and no additional finishing work to worry about.

Our unique built-in track system has been designed to keep the shade and screen from rolling unevenly. It always looks trim, performs with flawless precision, and can block both sun and bugs, or let in the breeze while blocking bugs. Or you can set it to do a combination of both. And of course, you can count on the quality materials and craftsmanship Bomar is known for.



bomar portlight

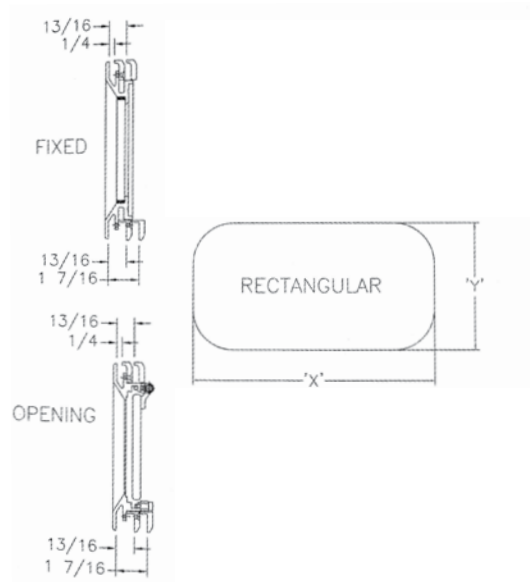
2000 series



2000 Series

Rectangular Portlight

Part Number		Style	Clear View		Cutout		OD Port		OD Trim	
Anodised	Black		X	Y	X	Y	X	Y	X	Y
BNC2410-SA	BNC2410-ZSA	Opening	243mm	94mm	305mm	156mm	325mm	176mm	329mm	179mm
BNC2414-SA	BNC2414-ZSA	Opening	343mm	94mm	405mm	156mm	425mm	176mm	429mm	179mm
BNC2512X-SA		Fixed	287mm	111mm	349mm	173mm	370mm	194mm	373mm	197mm
BNC2515-SA	BNC2515-ZSA	Opening	367mm	110mm	429mm	171mm	449mm	192mm	452mm	195mm
BNC2523-SA		Opening	565mm	110mm	627mm	171mm	648mm	192mm	651mm	195mm



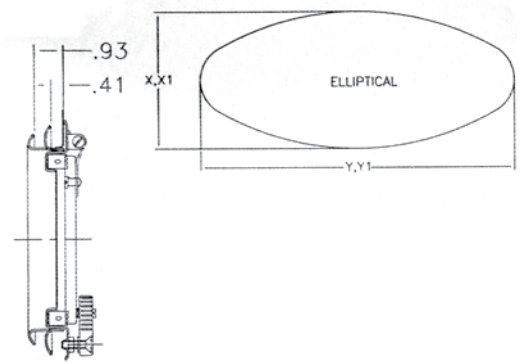
Extruded Portlight

Features

- Anodised heavy-duty aluminum frames.
- Smoke lens standard.
- CE approval available.
- Complete with trim ring and screen.
- Adjustable quick dogs.
- Deep drain angle.
- No visible exterior screws.
- Minimum hull thickness is 1/4".
- Maximum is 1-7/16.

bomar portlights

classic ss series



Stainless Steel Portlights

Features

- Polished stainless steel opening portlights.
- Friction hinge.
- Complete with outside finishing ring and screen.
- Smoked acrylic lens with polished edges.
- Internal mounting holes.
- Adjustable quick dog.
- CE approved.



Portlight No.	O.D. of Finishing Ring		Cutout		Suit Hull Thickness
	X	Y	X1	Y1	
Part Number	mm	mm	mm	mm	
BS616MBSS-2	190	448	159	413	10-20mm
BS616MBSS-3	176	430	159	413	20-35mm



bomar portlights

gray series



Gray Series

Part Number	O.D. of Finishing Ring		Cutout		Spigot Length	Weight Lbs.	
Elliptical	X	Y	X1	Y1			
Part No.	mm	mm	mm	mm	mm		
BG515-28SS	149	419	92	362	29	2	
BG626-28SS	208	467	152	406	32	3	
Rectangle							
Black	White						
BG410-A-17	BG410-A-27	167	318	117	265	49	2.5
BG414-A-17	BG414-A-27	165	419	114	368	48	3
BG512-AD17	BG512-AD27	198	373	140	318	60	3.5
BG715-AD17	BG715-AD27	244	451	192	394	48	4.5
BG818-AD17	BG818-AD27	271	524	216	468	48	5.5

NOTE: AD=angled drain. Straight Drain versions are available to order.

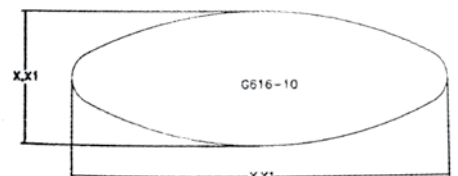
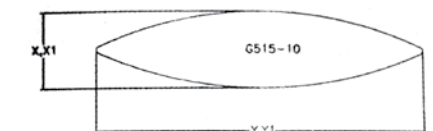
Molded Portlight

Features

- No visible exterior screws.
- Large viewing area.
- Adjustable quick dog.
- Complete with trim ring & screen.
- Minimum hull thickness is 1/4". Maximum is 1-7/8".
- Please specify hull thickness when ordering.
- CE approved.



Part Number	O.D. of Finishing Ring		Cutout	
Molded Fixed With Stainless Steel Exterior	X	Y	X1	Y1
Cutout	mm	mm	mm	mm
BG515-1028	124	397	89	356
BG616-1028	197	457	146	400



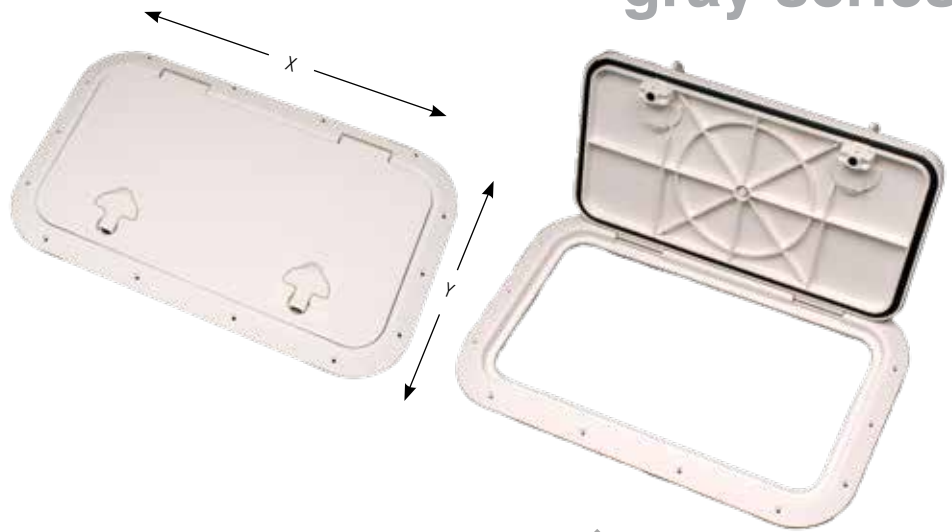
bomar hatch/deck plates

gray series

Inspection Hatch

Features

- Molded low profile.
- T-handle for easy operation.
- Stainless steel hinge pins.
- UV stabiliser resin.
- Black or off white.
- Non-skid surface.
- Flush mounting.
- Also available in cast aluminum sizes.



Part Number		I.D. Opening		Cut Out Size		O.D. Size		Weight Lbs.
Black	White	X mm	Y mm	X mm	Y mm	X mm	Y mm	
BG8711-11	BG8711-22	279	178	310	208	362	260	2
BG8812-11	BG8812-22	289	216	329	273	394	318	2.5
BG81020-11	BG81020-22	495	248	537	308	597	349	4.5
BG81618-11	BG81618-22	406	356	448	413	513	460	5
BG81030-11	BG81030-22	679	248	721	289	787	356	6

Deck Plates

Features

- UV stabiliser resin.
- Black or off white.
- "O" ring seal.



Part Number		Lock In	I.D. Opening	Cut Out Size	O.D. Size
Black	White		mm	mm	mm
BG837	BG836	6" Lock In	132	213	162
BG841	BG840	8" Lock In	186	268	216
BG845	BG844	10" Lock In	235	318	267



bomar flush watertight hatches

commercial grade series

Commercial Grade Series

Part Number	Description	Opening	Cut Out	O.D. of Deck Flange	Extends Below Deck	Weight Lbs.
		mm	mm	mm	mm	Lbs.
BC41218	Oval	310 x 464	380 x 534	475 x 629	143	27
BC41524	Oval	380 x 610	450 x 680	552 x 775	127	34
BC42424	Square	380 x 610	520 x 568	597 x 775	127	34

Flush Watertight Hatches

Features

- Cast Almag – 35
- Stainless steel t-handle.
- Steel ring available.
- Inside/Outside opening standard.
- ¼" height off mounting surface.

