

LEWMAR®



From the high salinity and heat of the northern tropics to the cold and blustery conditions experienced on Australia's southern shores anchoring is conducted in some of the toughest marine conditions in the world. To survive in such conditions requires high quality solutions including design, choice of material for strength and durability and expertise in manufacturing. For these reasons Lewmar windlasses, previously Simpson Lawrence, are manufactured using a combination of 316 grade stainless steel and anodised aluminium for all above deck metal components to resist corrosion caused by our harsh saltwater environment ensuring quality and durability.

Lewmar produces a wide range of vertical and horizontal anchor windlasses and capstans supplied standard with heavy duty, high efficiency, dual direction motors from 150 watts up to 7500 watts and available in a choice of 12V or 24V versions in the larger sizes. Whether it's a small fishing boat, a 100-foot cruiser or a mid-size sailboat, Lewmar has a windlass designed to fit almost any requirement.

Windlasses with chain gypsies are designed to accept Australian standard sized, short link galvanised or stainless steel chain. Selected models with combination chain/rope gypsies should be used with medium lay, three or eight strand nylon anchor warps. When using primarily rope anchor warps, it is essential that enough fall distance is provided in the anchor well to prevent the rope bunching up and jamming. For ease of operation each unit includes a manual clutch release, in most cases operated by a standard sheet winch handle (optional accessory) to 'free fall' the anchor. An extensive installation and operation manual plus drilling template are included.

Vertical Anchor Windlass - V700

The V700 is one of the most attractive and durable windlasses on the market. The above deck housing features 100% 316 stainless steel construction to create a attractive sleek flush-mount low profile design.

The V700 is supplied with a rope/chain gypsy which accepts 6mm short link chain and 12mm three strand medium lay nylon rope. Simple push button operation and two unique built-in features, motor protection and anchor lock, make this an ideal all around winch.

Features:

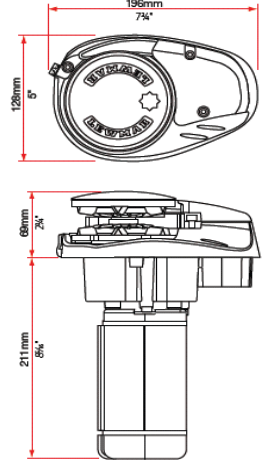
- 100% 316 stainless steel deck unit
- Low profile design
- Dual direction motor
- Combination rope/chain gypsy
- IP67 rated motor casing
- Fall Safe anchor lock
- Fast line speed
- Impact-resistant motor cover
- Chain counter sensor included
- For boats up to 10m

Standard Inclusions:

- Isolator/circuit breaker
- Dual direction solenoid pack
- Manual free fall release handle

Optional:

- Remote up/down panel
- Foot switch
- Digital chain counter



BLA Code	Watts	Volts	Chain Std. mm	Rope mm	Max Pull kg	Work Load kg	Max. Chain Speed m/min	Suits Deck mm	Weight Kg	Boat Size m
154300	320	12	6	12	320	79	25	10-70	6.5	6-10

N.B. Boat size recommendation is for an average boat under average conditions and is a guide only

Vertical Anchor Windlass – CPX 1, CPX2, CPX3

The CPX range is the culmination of continual design, market research and development to provide a new range of lightweight vertical windlass to compliment the Lewmar V Range.

Manufactured using 316 grade stainless steel and aluminium above deck has meant a 15% weight saving while maintaining durability and strength. All CPX windlass kits are supplied with a rope/chain gypsy which accepts 8mm short link chain and 12 to 16mm three strand medium lay nylon rope.

Each kit comprises a gypsy, motor, up/down rocker switch, circuit breaker and solenoid kit.

Features:

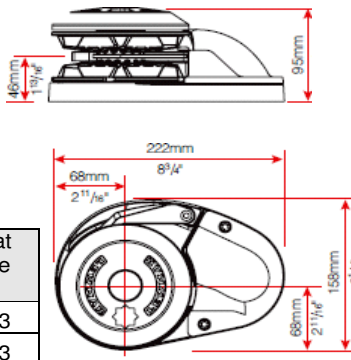
- Combination 316 stainless steel and aluminium deck unit
- Low profile design
- Dual direction motor
- Combination rope/chain gypsy
- IP67 rated motor casing
- Impact-resistant motor cover
- Chain counter sensor included
- For boats 7 to 13m

Standard Inclusions:

- Isolator/circuit breaker
- Dual direction solenoid pack
- Up/Down dash mounted rocker switch

Optional:

- Foot switch
- Emergency handle
- Digital chain counter



BLA Code	Watts	Volts Std (Opt)	Chain Std. (Opt) mm	Rope mm	Max Pull kg	Work Load kg	Max. Chain Speed m/min	Suits Deck mm	Weight Kg	Boat Size m
154310	700	12	8	12-16	454	113	19	40-66	17.5	7-13
154314	700	12 (24)	8	12-16	650	163	21	40-66	17.5	7-13
154318	1000	12 (24)	8 (10)	12-16	890	215	28	40-66	20.0	7-13

N.B. Boat size recommendation is for an average boat under average conditions and is a guide only

Vertical Anchor Windlass With Capstan – CPX 3

Manufactured using 316 grade stainless steel and aluminium above deck has meant a 15% weight saving while maintaining durability and strength. Supplied with a rope/chain gypsy which accepts 8mm short link chain and 12 to 16mm three strand medium lay nylon rope.

The capstans unique W.A.R.P pattern (Wear and Abrasion Resistant Pattern) optimises performance and reduces rope wear by as much as 30%. Includes gypsy, capstan, motor, up/down rocker switch, circuit breaker and solenoid kit.

Features:

- Combination 316 stainless steel and aluminium deck unit
- Dual direction motor
- Combination rope/chain gypsy
- IP67 rated motor casing
- Impact-resistant motor cover
- Pre-set for chain meter sensor
- For boats 7 to 13m

Standard Inclusions:

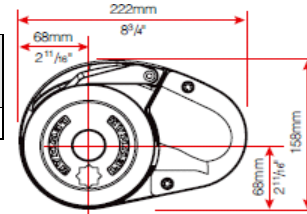
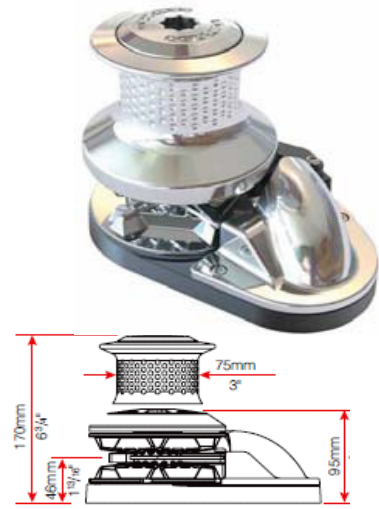
- Isolator/circuit breaker
- Dual direction solenoid pack
- Up/Down dash mounted rocker switch

Optional:

- Foot switch
- Emergency handle
- Digital chain counter



Accessories included



BLA Code	Watts	Volts Std (Opt)	Chain Std. (Opt) mm	Rope mm	Max Pull kg	Work Load kg	Max. Chain Speed m/min	Suits Deck mm	Weight Kg	Boat Size m
154320	1000	12 (24)	8 (10)	12-16	890	215	28	40-66	23.0	7-13

N.B. Boat size recommendation is for an average boat under average conditions and is a guide only

Vertical Anchor Windlass – V1, V3

The V series of vertical windlasses features an industry leading external deck unit manufactured from precision cast stainless steel.

The V1 and V3 are supplied with a rope/chain gypsy accepting 8mm (V3 10mm) short link chain and 12 to 16mm three strand medium lay nylon rope. The V1 and V3 are also fitted standard with the fall safe anchor lock system preventing accidental deployment of the anchor. As an option the V1 and V3 are available with a manual recovery winching system for use in the event of power loss (V1- 154332).

Features:

- Cast stainless steel external unit
- Dual direction motor
- Combination rope/chain gypsy
- Heavy duty worm drive motor
- Cone clutch for easy release
- Pre-set for chain meter sensor
- For boats 7 to 14m

Standard Inclusions:

- Isolator/circuit breaker
- Dual direction solenoid pack
- Up/Down dash mounted rocker switch

Optional:

- Foot switch
- Emergency handle
- Digital chain counter



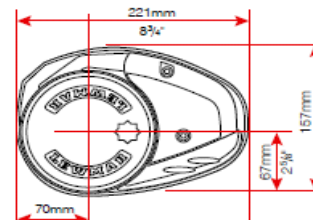
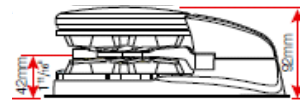
Standard V1 and V3



154332 - V1 shown with optional manual recovery kit



Accessories included



BLA Code	Watts	Volts Std (Opt)	Chain Std. mm	Rope mm	Max Pull kg	Work Load kg	Max. Chain Speed m/min	Suits Deck mm	Weight Kg	Boat Size m
154330	700	12	8	12-16	454	113	19	25-60	19.0	9-12
154332	700	12	8	12-16	454	113	19	25-60	19.0	9-12
154346	1000	12 (24)	10	12-16	890	215	28	40-66	21.5	12-16

N.B. Boat size recommendation is for an average boat under average conditions and is a guide only

Vertical Anchor Windlass – V4

The V4 vertical windlass features an industry leading external head unit manufactured from precision cast stainless steel and robust drive train.

The V4 is supplied with the largest rope/chain gypsy in the range accepting 10mm short link chain and 16mm three strand medium lay nylon rope. As an option the V4 is also available with a manual recovery kit. Also available, deck head only to create V4 or V5.

Features:

- Cast stainless steel external unit
- Dual direction motor
- Combination rope/chain gypsy
- Cone clutch for easy release
- Pre-set for chain meter sensor
- For boats 13 to 16m

Standard Inclusions:

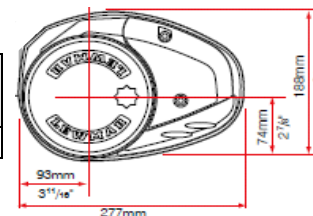
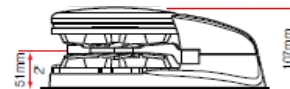
- Isolator/circuit breaker
- Dual direction solenoid pack
- Up/Down dash mounted rocker switch

Optional:

- Foot switch
- Emergency handle
- Digital chain counter



Accessories included



BLA Code	Watts	Volts Std (Opt)	Chain Std. (Opt) mm	Rope mm	Max Pull kg	Work Load kg	Max. Chain Speed m/min	Suits Deck mm	Weight Kg	Boat Size m
154352	1600	12 (24)	10 (12)	16	1250	313	25	40-66	29.0	13-16

N.B. Boat size recommendation is for an average boat under average conditions and is a guide only

Pro-Series + Pro-Fish Horizontal Windlasses

Praised around the world by boaters and professionals alike, the horizontal Pro-Series and Pro-Fish windlasses are outstanding examples of Lewmar's commitment to provide quality products for boats ranging in length from 6m to 11.5m (20-38ft).

The range features an external housing manufactured from 100% 316 marine grade stainless steel creating an incredibly strong and durable anchoring system impervious to the elements. Each winch is supplied as a complete kit ready for installation and includes base gasket, fast mount studs, installation wrench, circuit breaker, dual direction solenoid and panel mount up/down rocker switch.

Also included is a combination rope/chain gypsy with the ability to accept 6mm short link chain and 12mm medium lay three strand nylon rope. Operation is via a simple push button control and includes a built-in manual emergency recovery system.

Pro-Series Features:

- Powerful motors for fast line retrieval
- Manual emergency recovery system (shifter required)
- Durable 316 grade stainless steel construction
- Stainless steel control arm and stripper for strength
- Simple above deck installation
- For boats 6 to 11.5m
- Free fall conversion kit available (154398)

Standard Inclusions:

- Isolator/circuit breaker
- Dual direction solenoid pack
- Up/Down dash mounted rocker switch

Optional:

- Foot switch
- Emergency handle
- Free fall conversion kit

BLA Code	Watts	Volts Std	Chain Std. mm	Rope mm	Max Pull kg	Work Load kg	Max. Chain Speed m/min	Weight Kg	Boat Size m
154380	500	12	6	12	320	32	79	8.5	6 - 11.5
154382	700	12	8	12	454	32	114	9.5	6 - 11.5

N.B. Boat size recommendation is for an average boat under average conditions and is a guide only

Pro-Fish

The Pro-Fish range features an automatic freefall system that allows for instant, accurate deployment of tackle at the touch of a button from the safety of the helm position. When retrieval is necessary the system quickly re-engages.

Pro-Fish Features:

- Automatic freefall
- Powerful motors for fast line retrieval
- Manual emergency recovery system (winch handle required)
- Durable 316 grade stainless steel construction
- Stainless steel control arm and stripper for strength
- Simple above deck installation
- For boats 6 to 11.5m

Standard Inclusions:

- Isolator/circuit breaker
- Dual direction solenoid pack
- Up/Down dash mounted rocker switch

Optional:

- Foot switch
- Emergency handle

BLA Code	Watts	Volts Std	Chain Std. mm	Rope mm	Max Pull kg	Work Load kg	Max. Chain Speed m/min	Weight Kg	Boat Size m
154388	500	12	6	12	320	32	79	8.5	6 - 11.5
154390	700	12	8	12	454	32	114	9.5	6 - 11.5

N.B. Boat size recommendation is for an average boat under average conditions and is a guide only

H-Series Horizontal Windlasses

Designed for above deck installation, the H-Series of windlasses are driven by a reliable worm drive gearbox providing outstanding power. Each H-Series windlass features an integral dual direction solenoid for simple wiring and is protected by a durable main case.

Features:

- Easy one piece installation
- Horizontal worm drive motor-gearbox
- Integral solenoid protected by main-case
- Aluminium and composite main-case
- Unique capstan - W.A.R.P wear reduction pattern
- For boats 8 to 14m

Standard Inclusions:

- Isolator/circuit breaker
- Internal dual direction solenoid
- Up/Down dash mounted rocker switch

Optional:

- Foot switch
- Manual recovery kit

BLA Code	Watts	Volts Std (Opt)	Chain Std. (Opt) mm	Rope mm	Max Pull kg	Work Load kg	Max. Chain Speed m/min	Weight Kg	Boat Size m
154412	1000	12 (24)	8 (10)	14-16	890	215	28	25.5	8-14

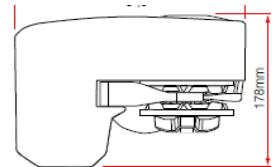
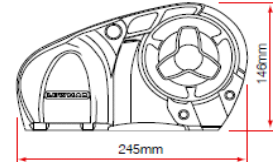
N.B. Boat size recommendation is for an average boat under average conditions and is a guide only



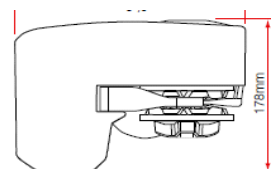
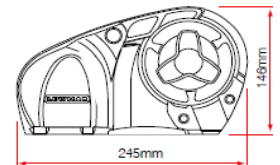
154398 Conversion to freefall kit



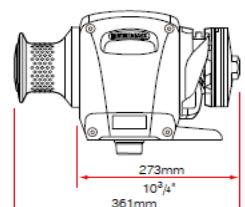
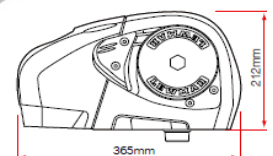
Accessories included



Accessories included



Accessories included



C-Series Capstans

The Lewmar C-Series capstans feature a drum that is finished in the unique W.A.R.P pattern (Wear and Abrasion Resistant Pattern) which optimises performance and reduces rope wear by as much as 30%. Each capstan features stainless steel components that provide strength, durability and longevity in an attractive finish.

The C-3 capstan is designed to provide excellent rope control at the press of a button while being simple to install with an integrated deck and motor unit allowing all fasteners to be above deck.

Features:

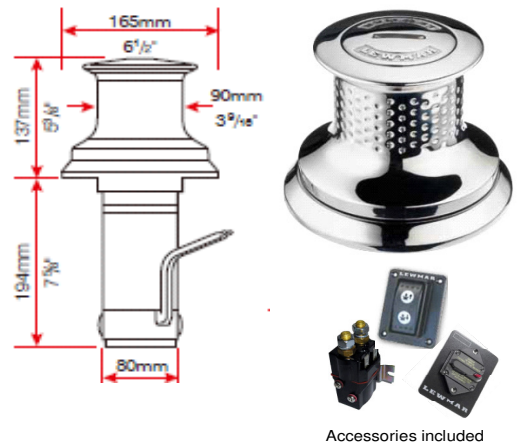
- Quick and easy installation
- Unique capstan - W.A.R.P wear reduction pattern
- 316 grade stainless steel components above deck
- For boats 8 to 16m

Standard Inclusions:

- Isolator/circuit breaker
- Dual direction solenoid
- Power in/out switch

BLA Code	Watts	Volts Std (Opt)	Max Pull kg	Work Load kg	Max. Rope Speed m/min	Weight Kg	Boat Size m
154430	1000	12 (24)	750	188	12	12.0	8-16

N.B. Boat size recommendation is for an average boat under average conditions and is a guide only



Accessories included

ACCESSORIES

Chain Counters

154544 - AA150 rode counter (chain counter) features LED displayed deployed rode length.

- Audible alarm when anchor is close to docking
- Choice of feet or metres rode measurement
- Install up to 2 units or combine with the AA560



154544

154546 - AA560 features a one touch automatic function to deploy or retrieve a set length of anchor rode.

- Docking alarm and pre-set stopping point
- Safety lock reduces unwanted windlass operation
- Logs windlass operating hours for maintenance



154546

154548 - AA710 provides complete flexibility in control from the bow or the helm station.

LED display shows the length of anchor rode deployed. Wireless operation.

- Full windlass control and chain counting
- Control unit is shockproof, waterproof and will float



154548

154486 - Guarded Rocker Switch

Water-resistant ignition protected rocker type switch. Raised surround prevents accidental engagement.

- Controls the up/down function of all Lewmar anchor windlass models
- Mount at the helm as the main switch for operation, or second station



154486

154530 - Hand Held Remote Control

- Corded hand remote featuring 3mt pigtail with plug end
- Suitable for most solenoid activated applications
- 12 or 24 volt applications



154530

154532 - Deluxe Hand Held Remote Control

- Compact size corded hand remote featuring 3mt pigtail with plug end
- Suitable for most solenoid activated applications
- 12 or 24 volt applications



154532

154536, 154538 - Wireless RF Remote Control

Three button wireless fob allows for up/down operation of any Lewmar windlass. Five button fob allows control over port/starboard thruster operation and up/down operation of any Lewmar windlass.

- Kit includes one wireless fob and receiver
- Up to eight fobs may be used on one receiver
- Fob floats, rated to IP67
- Easy retrofitting to existing application



154536



154538



Receiver

Foot Deck Switches

Lewmar offers a wide range of foot switches for direct control of all Lewmar windlasses and sheet winches. Models and styles are available in black, grey or with a stainless steel cover in either fully covered, open top or open top with directional arrows. The SX range is rated to IP67/5 and all switches are suitable for 12 or 24 volt DC operation.



154466



154470



154478

Solenoid Contactors and Circuit Breakers

Lewmars extensive range of windlasses and electric sheet winches are supplied with a variety of electric motors including split field, series wound and permanent magnet. Lewmar makes available a wide range of matching solenoid contactors designed to suit each motor to enable efficient forward and reverse operation.

Lewmar also has available a wide range of panel mounted slow blow circuit breakers ranging from 25A through to 250A.



Windlass Systems and Spare Parts

Lewmar's extensive range of windlasses are designed to use a common above deck head unit matched to a variety of electric motors along with hydraulic models for larger vessels.

Also available is a wide variety of spare parts and accessories including gypsies designed to accept most types of chain up to 22mm stud link.



P.O. Box 7171 Hemmant,
Queensland, Australia 4174

P: 1300 252 725

F: 1300 252 329

W: bla.com.au