

Generic Replacements for:

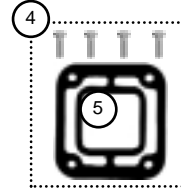
**OMC**

**GM In-Line Six Cylinder  
250 cu.in.**

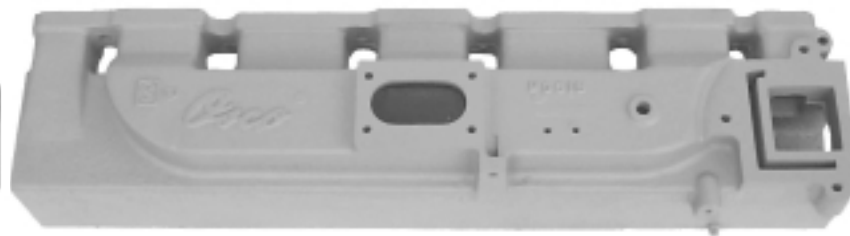
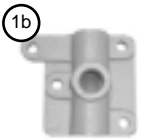
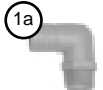
Model 160, using OMC riser  
#'s 980020 or 980188.

**DO NOT USE THIS MANIFOLD IN  
CLOSED COOLING APPLICATIONS.**

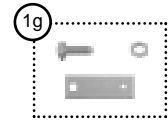
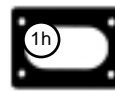
Necessary pipe plugs are included.



1



Mounting hardware included



1. **MO618-01\*** **Manifold Assembly.** Fits 250 cu.in. GM in-line six cylinder engines equipped with OMC riser #'s 980020 or 980188. For use with the 0188 riser. Includes items 1a through 1h and mounting hardware. Does not include manifold to cylinder head gasket.
- 1a. **F68N9\*** **Water Fitting,** plastic 90°, 3/4" MPT x 1" hose barb.
- 1b. **BWS\*** **Front Plate,** for MO618 series manifolds.
- 1c. **BWF\*** **Rear Plate,** for MO618 series manifolds.
- 1d. **BG\*** **Gasket,** fits both end plates.
- 1e. **MO60188\*** **Riser Adapter,** adapts 0188 riser to manifold.
- 1f. **MO618-G\*** **Gasket,** riser adapter to manifold.
- 1g. **MO601\*** **Throttle Linkage Adapter,** to be used with existing OMC carburetor linkage. Included with MO618-01.
- 1h. **CY-MG\*** **Gasket** for 2 barrel Rochester carburetor, studs measure, 3 1/4" x 1 7/8" on center. Included with MO618-01.
2. **CY6-GH** **Gasket,** manifold to engine cylinder head. Replaces OMC # 907932.
3. **0188** **Riser,** 3 3/8" outlet, 90° down angle. Replaces OMC #'s 980020 and 980188. Use mounting kit # 0188-MK.
4. **0188-MK** **Mounting Kit,** fits riser 0188. Includes 0188-G gasket and mounting hardware to bolt riser to adapter.
5. **0188-G** **Gasket,** riser. Included in 0188-MK mounting kit. Replaces OMC # 908013.

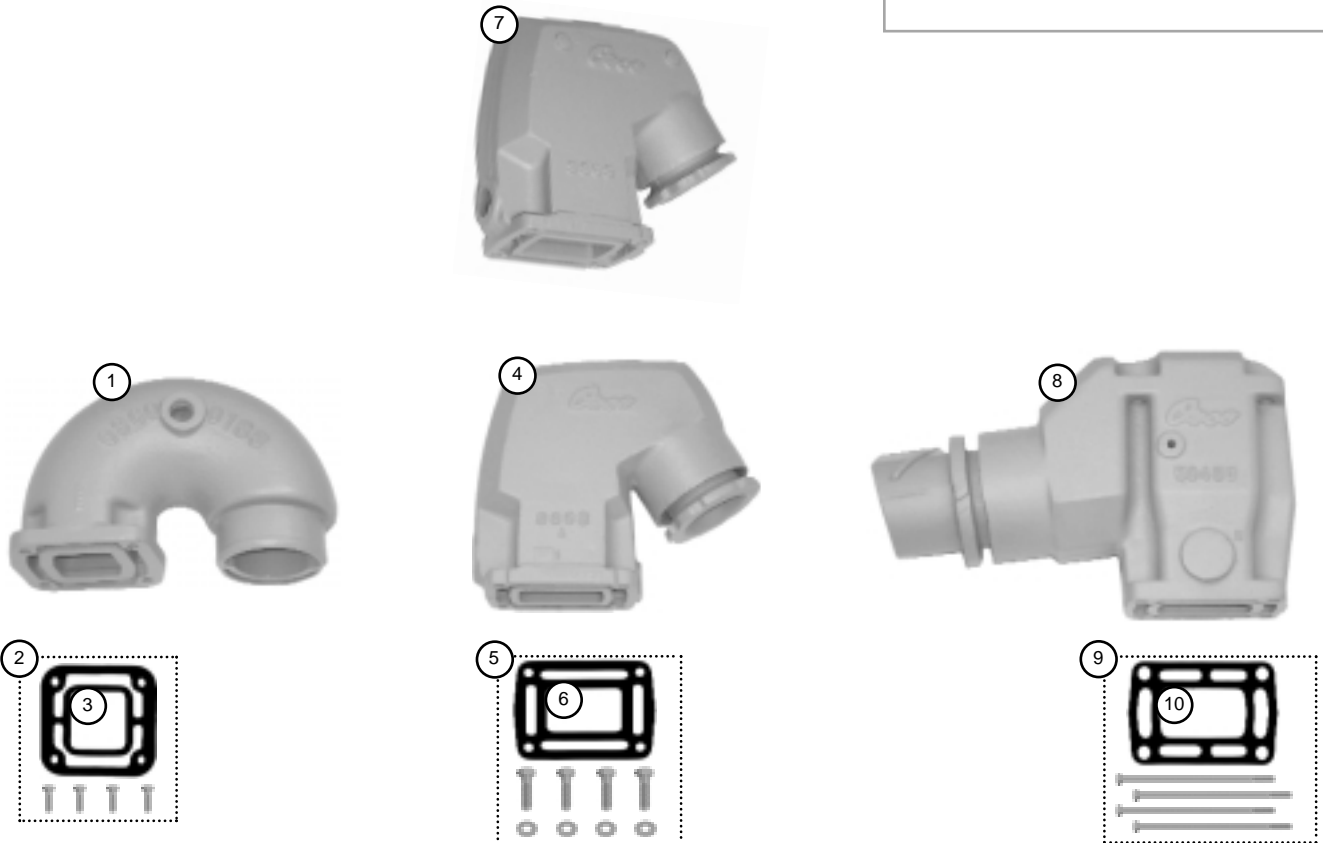
\* Item #'s 1a through 1h are included with the manifold assembly.



**OMC**

**Risers used on multiple applications. Ford and GM.**

Necessary pipe plugs are included.



1. **0188** **Riser**, 3<sup>3</sup>/<sub>8</sub>" outlet, 90° down angle. Fits 4 and 6 cylinder inline engines. Replaces OMC #'s 980188 and 980020. Use mounting kit 0188-MK.
2. **0188-MK** **Mounting Kit**, riser. Fits 0188 riser. Includes 0188-G gasket and mounting hardware.
3. **0188-G** **Gasket**, riser to manifold. Included in 0188-MK. Replaces OMC # 908013.
4. **9863** **Riser**, 3<sup>1</sup>/<sub>2</sub>" exhaust outlet 60° down angle. Fits Ford and GM V8 log style manifolds. Osco does not offer a manifold for OMC Ford applications. Replaces OMC #'s 909218, 982680 and 909863. Use mounting kit 9863-MK.
5. **9863-MK** **Mounting Kit**, Riser. Fits 9863 and 9863-T risers. Includes 9863-G gasket and mounting hardware.
6. **9863-G** **Gasket**, riser to manifold. Included in 9863-MK. Replaces OMC # 909786.
7. **9863-T** **Riser**, Same as 9863 but tapped to accept 3<sup>3</sup>/<sub>4</sub>" MPT hose barb. Use mounting kit 9863-MK.
8. **50456** **Riser**, 4" exhaust outlet, 7° down angle. Fits Ford and GM V8 center riser style manifolds. Osco does not offer a manifold for OMC Ford applications. Replaces OMC #'s 913784, 3855270 and 3850456.
9. **50456-MK** **Mounting Kit**, riser. Fits 50456 riser. Includes 50456-G gasket and mounting hardware.
10. **50456-G** **Gasket**, riser to manifold. Included in 50456-MK. Replaces OMC # 913783.

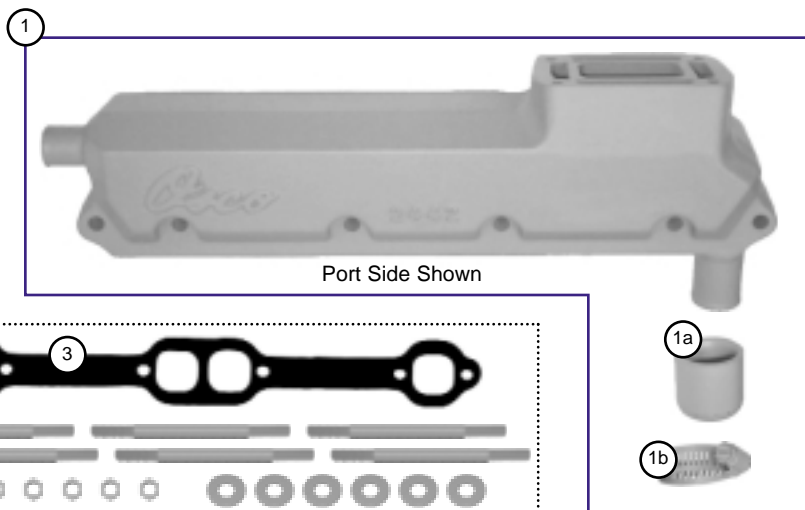
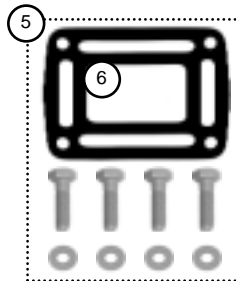
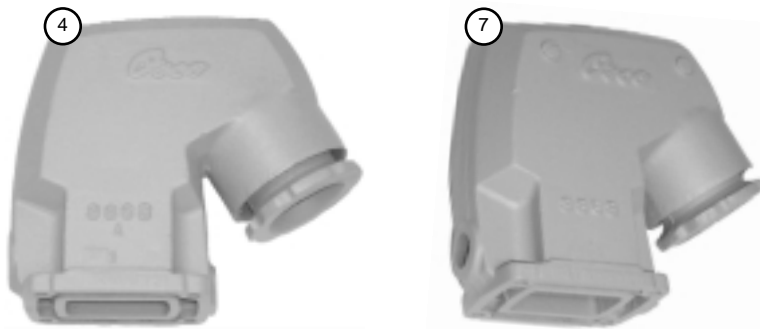


**OMC**

**GM Small Block V8  
305 - 350 cu.in.**

1979 to 1989

Necessary pipe plugs are included.



34

- 1. **2441\*** **Manifold, starboard.** Fits 305 - 350 cu.in. GM small block V8 Engines. Includes hose cap and clamp. Replaces OMC #'s 909280 and 912441. Use mounting kit 244-MK.
- 1. **2442\*** **Manifold, port.** Fits 305 - 350 cu.in. GM small block V8 Engines. Includes hose cap and clamp. Replaces OMC #'s 910144, 909279, and 912442. Use mounting kit 244-MK.
- 1a. **2228\*** **Hose Cap,** 1 1/4" ID. Replaces OMC #'s 909312 and 908488.
- 1b. **C20\*** **Hose Clamp,** stainless steel. Fits 2228 hose cap. Replaces OMC # 313851.
- 2. **244-MK** **Mounting Kit,** manifold. Fits 2441 and 2442 manifolds. Includes CV-GH gasket and mounting hardware.
- 3. **CV-GH** **Gasket,** manifold to cylinder head. Included in 244-MK. Replaces OMC #'s 909314 and 3852468.
- 4. **9863** **Riser,** 3 1/2" exhaust outlet 60° down angle. Replaces OMC #'s 909218, 982680 and 909863. Use mounting kit 9863-MK.
- 5. **9863-MK** **Mounting Kit,** riser. Fits 9863 and 9863-T. Includes 9863-G gasket and mounting hardware.
- 6. **9863-G** **Gasket,** riser to manifold. Included in 9863-MK. Replaces OMC # 909786.
- 7. **9863-T** **Riser,** Same as 9863 but tapped to accept 3/4" MPT hose barb. Use mounting kit 9863-MK.

\* Items 1a and 1b are included with the manifold.

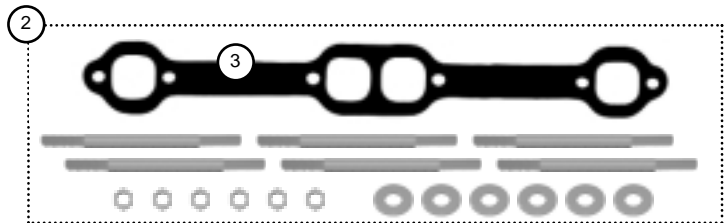
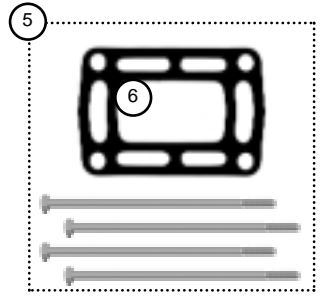
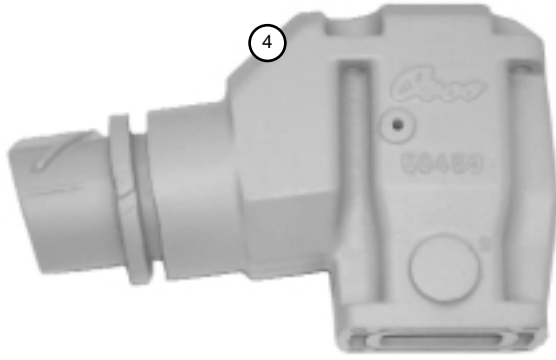
References to port and starboard are made looking from the rear of the motor forward. Port is left, starboard is right.



# OMC / VOLVO

**GM Small Block V8  
305 - 350 cu.in.**

Necessary pipe plugs are included.



- 1. **52374\*** **Manifold.** Fits 305 - 350 cu.in. GM small block V8 Engines. Includes hose cap and clamp. Replaces OMC #'s 914035, 3852374 and VOLVO part # 3852374-2. Fits both sides of engine. Use mounting kit 244-MK.
- 1a. **2229\*** **Hose Cap, 1" ID.** Replaces OMC #'s 909829, 3850476, and 3852476. Use one per manifold.
- 1b. **C16\*** **Hose Clamp, stainless steel.** Fits 2229 hose cap. Replaces OMC #'s 912627, 385780, and 3852692.
- 2. **244-MK** **Mounting Kit, manifold.** Fits 52374 manifold. Includes CV-GH gasket and mounting hardware.
- 3. **CV-GH** **Gasket, manifold to cylinder head.** Included in 244-MK. Replaces OMC #'s 909314 and 3852468.
- 4. **50456** **Riser, 4" exhaust outlet, 7° down angle.** Replaces OMC #'s 913784, 3855270, 3850456 and VOLVO # 3855270-9. Use mounting kit 50456-MK. 50456 riser is used on many Ford and GM V8 center riser style manifolds. Osco does not offer a manifold for OMC Ford applications. See pages 26 and 38 for manifolds and risers that can be easily adapted.
- 5. **50456-MK** **Mounting Kit, riser.** Fits 50456 riser. Includes 50456-G gasket and mounting hardware.
- 6. **50456-G** **Gasket, riser to manifold.** Included in 50456-MK. Replaces OMC #'s 913783.

\* Items 1a and 1b are included with the manifold.

